
	Product Information CDM32-5-2	Manufacturer	Nanfang Pump Industry Co.,Ltd (CNP)
		Address	Hangzhou, Zhejiang, China
		Contact	86-571-88637351
		Date	2024/05/15
		Client Name	CNP
Project Name		Client Addr.	Yuhang
Item NO		Contacts	Sun haoxiang
		Contact	

Part NO.	1100104881
----------	------------

Product Picture: (Note: Images may not be the same as the product)	Note
	<p>CDM/CDMF pumps are new generation, high efficiency, non-self-priming vertical multistage centrifugal pumps (Abbr. as pumps). It referred to European standard, adopted entirely new industrial design, efficiency achieved $MEI \geq 0.7$. It is energy saving, low noise, environment friendly, compact design, beautiful shape, light weight, easy for service, high reliability.</p>

Nameplate parameters

Flow	32 m ³ /h
Head	60 m
Efficiency	68.5 %
Speed	2900 rpm
Number of stages	5

Technology

Pump rotator speed	2900
Nameplate standards	CE
Pump version	2

Material

Impeller	304
Rubber code	P
Inlet&outlet chamber	304
Material Code	S

Installation


Connection Code	F
Maximum Pressure/Temperature (high temperature)	30 bar / 120 °C
Maximum Pressure/Temperature (low temperature)	30 bar / -15 °C
Flange Standard	DIN
Pressure Class	PN25-40
Inlet & outlet	DN65

Medium

Medium Temperature normal temperature	-15°C+70°C
Medium Temperature high temperature	-15°C+120°C
Maximum Environment Temperature	40°C

Motor

Number of Motor Phase	Three Phase
Protection Class	IP55
Insulation Class	F
Motor Power(kW)	11KW
Power Frequency(Hz)	50HZ
Rated Voltage (V)	380V
Rated Current (A)	20.6A
Energy Efficiency Level	IE3

 CNP 南方泵业	Product Information CDM32-5-2	Manufacturer	Nanfang Pump Industry Co.,Ltd (CNP)
		Address	Hangzhou, Zhejiang, China
		Contact	86-571-88637351
		Date	2024/05/15
Project Name		Client Name	CNP
Item NO		Client Addr.	Yuhang
		Contacts	Sun haoxiang
		Contact	

Seal


Mechanical Seal

CDLA-22/WB1F14

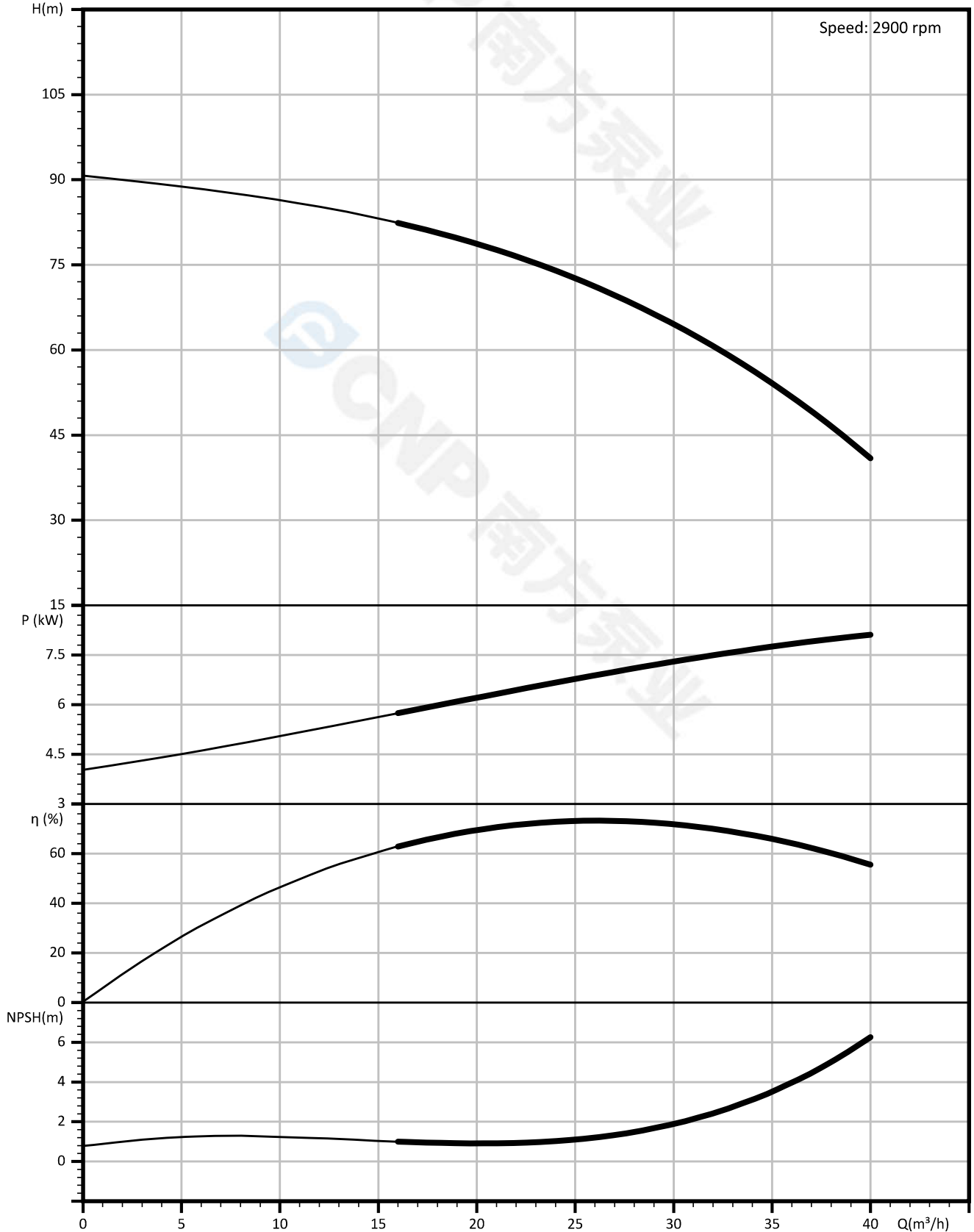
Others


Weight (kg)

181

	Performance Curve CDM32-5-2	Manufacturer	Nanfang Pump Industry Co.,Ltd (CNP)
		Address	Hangzhou, Zhejiang, China
Project Name		Contact	86-571-88637351
		Date	2024/05/15
Item NO		Client Name	CNP
		Client Addr.	Yuhang
		Contacts	Sun haoxiang
		Contact	

The hydraulic performance curve have been tested with Clean Water at 20°C, density 1000kg/m³, and at 1bar atmospherical pressure. ISO99062012 Grade 3B



 CNP 南方泵业	Pump Technical Parameters CDM32-5-2	Manufacturer	Nanfeng Pump Industry Co.,Ltd (CNP)
		Address	Hangzhou, Zhejiang, China
Project Name		Contact	86-571-88637351
		Date	2024/05/15
Item NO		Client Name	CNP
		Client Addr.	Yuhang
		Contacts	Sun haoxiang
		Contact	

Rated parameters

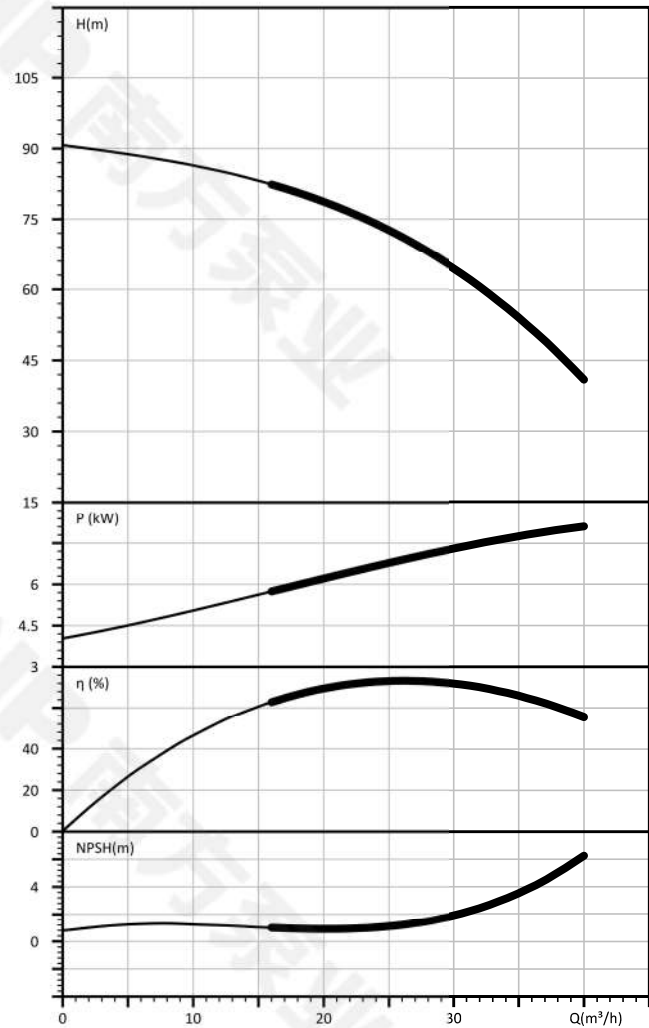
Pump model	CDM32-5-2
Part NO.	1100104881
Rated flow	32 m ³ /h
Rated head	60 m
Rated efficiency (%)	68.5
Power (kW)	7.67
NPSHr (m)	2
Speed (rpm)	2900
Max impeller diameter (mm)	118


Operating point parameters

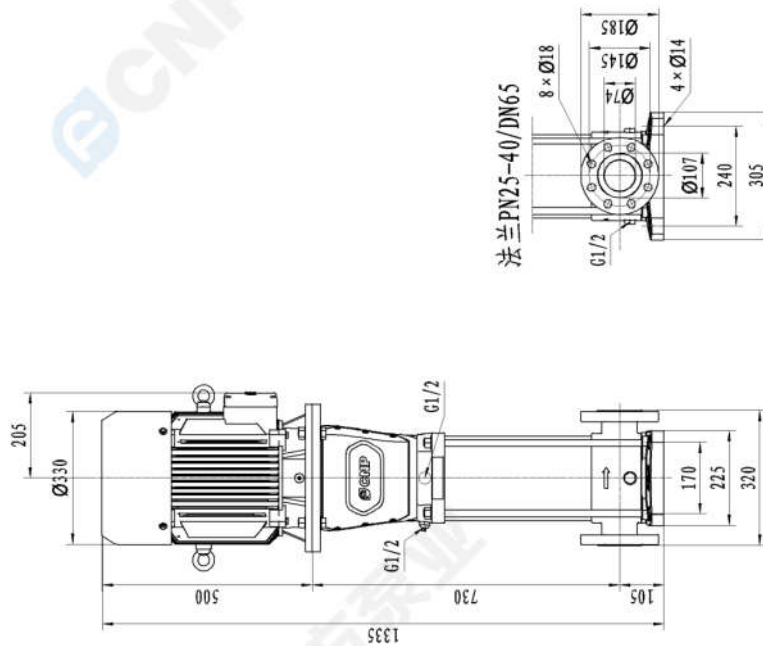
Flow (m ³ /h)	32
Head (m)	60
Efficiency (%)	68.5
Power (kW)	7.67
NPSHr (m)	2
Speed (rpm)	2900

Medium

Pumped medium	Clean Water
Working temperature (°C)	20
Medium density (kg/m ³)	1000
Viscosity (mm ² /s)	1



 CNP 南方泵业	Dimension Drawing CDM32-5-2	Manufacturer	Nanfeng Pump Industry Co.,Ltd (CNP)
		Address	Hangzhou, Zhejiang, China
		Contact	86-571-88637351
		Date	2024/05/15
Project Name		Client Name	CNP
Item NO		Client Addr.	Yuhang
		Contacts	Sun haoxiang
		Contact	



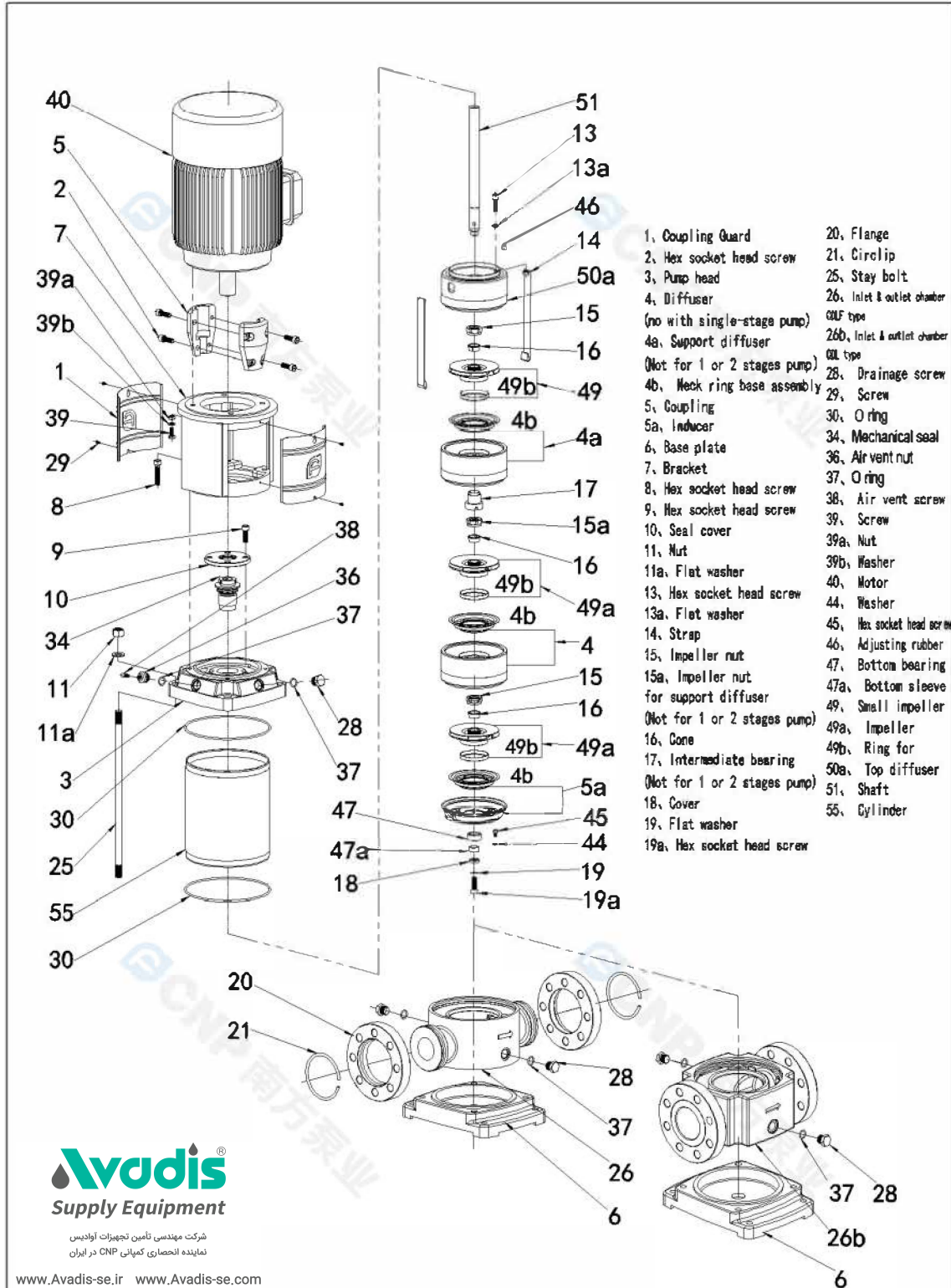
CDMF32-5-2FSWSC

**Exploided view
CDM32-5-2**

Manufacturer	Nanfeng Pump Industry Co.,Ltd (CNP)
Address	Hangzhou, Zhejiang, China
Contact	86-571-88637351
Date	2024/05/15
Client Name	CNP
Client Addr.	Yuhang
Contacts	Sun haoxiang
Contact	

Project Name


Item NO




شرکت مهندسی تامین تجهیزات اودیس
نماینده انحصاری کمپانی CNP در ایران

www.Avadis-se.ir www.Avadis-se.com
Office Tel : +98 (21) 88521351_88520342_88520837

CDM(F)32, 42, 65, 85-111102

 CNP 南方泵业	Physical picture CDM32-5-2	Manufacturer	Nanfang Pump Industry Co.,Ltd (CNP)
		Address	Hangzhou, Zhejiang, China
		Contact	86-571-88637351
		Date	2024/05/15
Project Name		Client Name	CNP
Item NO		Client Addr.	Yuhang
		Contacts	Sun haoxiang
		Contact	



	Order Data CDM32-5-2	Manufacturer	Nanfang Pump Industry Co.,Ltd (CNP)
		Address	Hangzhou, Zhejiang, China
		Contact	86-571-88637351
		Date	2024/05/15
		Client Name	CNP
Project Name		Client Addr.	Yuhang
Item NO		Contacts	Sun haoxiang
		Contact	

Pump model CDM32-5-2
 Part NO. 1100104881
 Product price
 Quantity 1
 Total price

Inquiry notes