



QF

50Hz/60Hz

Stainless Steel Submersible Electric Pump



Nanfang Zhongjin Environment Co.,Ltd

CNP Headquarter

Address: Renhe Town, Hangzhou,China

Post code: 311107

Tel: +86 571 86397876, +86 571 86397827

Fax: +86 571 86397809

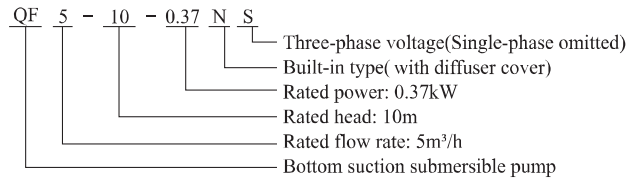
E-mail: info@nanfang-pump.com

<http://www.cnppump.com>

E170602
subject to amendments



Model Definition



Structure Feature

All stainless steel, rusty proof, corrosion resisting;
 N Series stainless steel structure, light weight, easy operation, motor pump in a whole, dual mechanical seal, used axial flow big flow rate impeller, high efficiency.

Operating Conditions

Submersible pump, max submerged depth is 5m;
 Pumped liquid: 40°C ;
 For N series, the sand containing percentage or not dissolved solid volume is less than 0.1%, solid diameter is less than 0.2mm;
 Motor: Insulation class F, protection class: IP68;
 Single phase pump, built in protection;
 PH range 4-10;
 Others: Standard cable length is 10m, flow switch is optional for single phase pump.

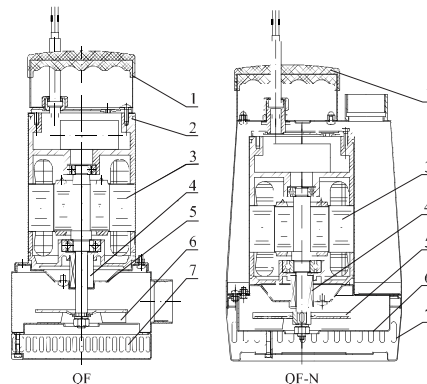
Applications

Garden irrigation, cultivation, municipal flood drainage and fountain;
 Sea water or similar as water which contains normal corrosive liquid;
 Drainage for river water, lake, rain water.

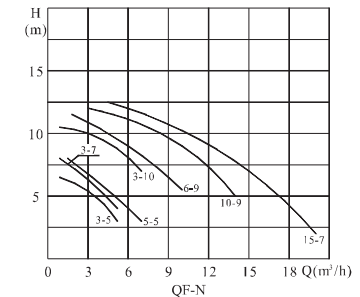
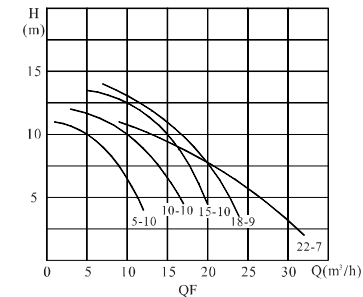
Structure, Material

SN	Name	Material	
1	Handle		
2	Upper cover	SS304	
3	Motor		
4	Double mechanical seal	Sealing Washer	NBR
		Motor Terminal	B/SIC
		Pump Side	SIC/SIC
5	Casing	SS304	
6	Impeller	SS304	
7	Strainer	SS304	
8	Base	SS304	

* B representative Carbon; SIC representative Silicon Carbide.



Performance Scope

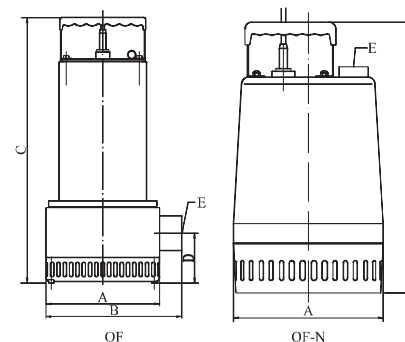


Technical Parameter

Synchronous speed:50Hz/60Hz 3000rpm/3600rpm

Model	Flow rate m ³ /h	Head m	Power kW	Voltage V	Electricity A	Discharge mm	Weight kg
QF5-10-0.37	5	10	0.37	220	4.2	G1.5" F	12
QF10-10-0.55	10	10	0.55	220	5.0	G1.5" F	13
QF15-10-0.75(S)	15	10	0.75	220/380	5.4/2	G1.5" F	14
QF18-9-1.1(S)	18	9	1.1	220/380	6.5/2.6	G2" F	15
QF22-7-1.5(S)	22	7	1.5	220/380	10.2/3.6	G2" F	17
QF3-5-0.12N	3	5	0.12	220	1.6	G1.25" F	6
QF3-7-0.18N	3	7	0.18	220	1.7	G1.25" F	6
QF5-5-0.25N	5	5	0.25	220	2.0	G1.25" F	7
QF3-10-0.37N	3	10	0.37	220	4.2	G1.5" F	9
QF6-9-0.55N	6	9	0.55	220	5.0	G1.5" F	14
QF10-9-0.75N(S)	10	9	0.75	220/380	5.4/2	G1.5" F	14
QF15-7-1.1N(S)	15	7	1.1	220/380	6.5/2.6	G1.5" F	16

Simplified drawing and installation dimensions



Model	A mm	B mm	C mm	D mm	E
QF5-10-0.37	170	195	360	68	G1.5" F
QF10-10-0.55	170	195	360	68	G1.5" F
QF15-10-0.75(S)	170	195	385	68	G1.5" F
QF18-9-1.1(S)	170	210	385	68	G2" F
QF22-7-1.5(S)	170	210	405	68	G2" F
QF3-5-0.12N	130	-	280	-	G1.25" F
QF3-7-0.18N	130	-	280	-	G1.25" F
QF5-5-0.25N	150	-	290	-	G1.25" F
QF3-10-0.37N	220	-	360	-	G1.5" F
QF6-9-0.55N	220	-	360	-	G1.5" F
QF10-9-0.75N(S)	220	-	380	-	G1.5" F
QF15-7-1.1N(S)	220	-	380	-	G1.5" F